

An eco-friendly and
secure investment!

ctc
HEAT PUMPS

CTC EcoAir 400

Conventional air-to-water heat pumps.

6-17 kW, models 406-420

- Provides heating down to $-22\text{ }^{\circ}\text{C}$
- Available in five sizes
- Low noise level
- Eco-friendly
- Easy to install



Find a CTC distributor in your country - www.ctc-heating.com



MADE IN SWEDEN

CTC EcoAir 406-420

CTC EcoAir 400 are conventional heat pumps which heat the building and provide hot water using a compressor with a stop-and-start function (on/off type).

The air is free and full of energy

CTC EcoAir 400 extracts energy from air as cold as -22°C, and supplies hot water up to 65°C to be used for domestic hot water and heating. CTC EcoAir 400 is available in five models from 6 to 17 kW, so no matter the house's consumption, there is always a suitable heat pump.

More power, less noise and better savings

CTC EcoAir 400 is equipped with an efficient on/off scroll compressor, electronic expansion valve, and a fan with extremely low noise level. The on-demand defrosting and the seasonal efficiency ensure a long life span and significant savings.

More even heating all year round

CTC EcoAir 400 functions best with the CTC EcoZenith indoor modules with built-in heat pump control. If you have a water heater and would like to add CTC EcoAir 400, you can use one of our control units to do so. The controller manage your entire heating system and the hot water production according to your wishes and needs.

Our shunt technology in the CTC EcoZenith i255 and CTC EcoZenith i555 Pro indoor modules provides more even heat. Since the temperature is constant, annoying expansion sounds that can produce annoying noises in in your radiator system are eliminated.

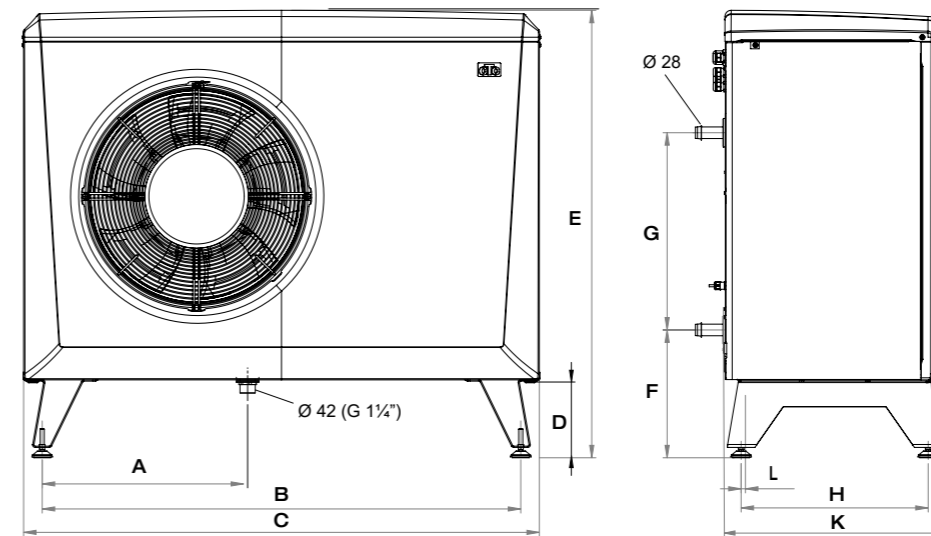
Fresh, legionella-free hot water

In our indoor modules, hot water is produced as it is being used. This solution means that you always get new, fresh and legionella-free hot water.

Also for homes with direct electricity systems

CTC EcoAir 400 also works in homes with direct electricity systems. Add one or more fan convectors which, via extremely quiet fans, spread warmth around your home.

Dimensions diagram



	406-408	410-420
A	486	550
B	1155	1285
C	1245	1375
D	188	188
E	1080	1180
F	308	308
G	476	476
H	451	551
K	545	645
L	10	33

Delivery includes:

Heat pump with factory-fitted connectors for power supply and communication.
Communication cable 15 m. Power cable 2 m.

Packaging includes:

Manual, condensate drain G1¼" filter ball valve: G1" (406-408)/ G1¼" (410)

Recommended accessories:

CTC Installation Kit EcoAir CTC no.: 586534402

Technical data 3x400 V		406	408	410	415	420
CTC no.		585600001	585600002	585600003	585600004	585600005
Weight (packaged weight)	kg	145 (164)	150 (169)	190 (210)	212 (232)	214 (234)
Dimensions (depth x width x height)	mm	545x1245x1080			645x1375x1180	
Specified output max: W35 & A +12/+7/+2/-7/-15 (EN14511)	kW	7.24/6.22/4.69 /3.87/2.84	9.12/7.83/6.02 /4.73/3.63	13.60/11.51/8.91 /7.32/5.58	18.26/15.92/12.08 /10.03/7.77	20.78/17.55/13.87 /11.42/8.96
Input power max: W35 & A +12/+7/+2/-7/-15 (EN14511)	kW	1.33/1.30/1.28 /1.25/1.17	1.66/1.62/1.60 /1.57/1.50	2.44/2.46/2.39 /2.29/2.15	3.55/3.52/3.39 /3.30/3.10	4.14/4.06/3.92 /3.78/3.59
Sound power L _{WA} / silent mode A7/W35 (EN12102) ²⁾	dB(A)	56	58	58	64 / 61	66 / 64
Sound pressure L _{PA} 5 m / silent mode A7/W35	dB(A)	37	39	39	45 / 42	47 / 45
Sound pressure L _{PA} 10 m / silent mode A7/W35	dB(A)	31	33	33	39 / 36	41 / 39
Electrical Data, connection		400V 3N~ 50Hz				
Rated current / with speed regulation in control unit	A	4.0	4.9	7.5	10.0	11.8
Recommended fuse / with speed regulation in control unit	A	10	10	10	13	13
Ingress protection class (IP)		IP X4				
Airflow rate: max / silent mode	m ³ /h	2500	2800	4100	5400 / 4000	6200 / 5400
Refrigerant quantity (R407C, GWP 1774)	kg	2.2	2.2	2.7	3.4	3.5
CO ₂ equivalent (* Hermetically sealed equipment)	tonnes	3.902	3.902	4.790	6.032 *	6.209 *
SCOP cold climate: W35 (EN14825, Pdesignh)		3.4	3.4	3.5	3.3	3.3
SCOP average climate: W35 (EN14825, Pdesignh)		3.9	3.9	3.9	3.8	3.7
SCOP warm climate: W35 (EN14825, Pdesignh)		4.8	4.9	4.8	4.6	4.5
Package efficiency class: W35/55 (A+++ to G) ¹⁾		A++ / A+	A++ / A+	A++ / A++	A++ / A+	A+ / A+
Energy efficiency class: W35/55 (A+++ to D)		A++ / A+	A++ / A+	A++ / A++	A+ / A+	A+ / A+

¹⁾The reported data applies together with the CTC EcoLogic control unit.

Energy labeling decals can be easily downloaded at www.ctc-heating.com/Ecodesign.

²⁾The sound specified should be regarded as an indication since the level is affected by the speed of the compressor and fan, as well as the surroundings.

Technical data 1x230V		406	408	410
CTC no.		585600011	585600012	585600013
Weight (packaged weight)	kg	145 (164)	150 (169)	190 (210)
Dimensions (depth x width x height)	mm	545x1245x1080		645x1375x1180
Specified output max: W35 & A +12/+7/+2/-7/-15 (EN14511)	kW	7.24 /6.22 /4.69 /3.87 /2.84	9.12 /7.83 /6.02 /4.73 /3.63	13.60 /11.51 /8.91 /7.32 /5.58
Input power max: W35 & A +12/+7/+2/-7/-15 (EN14511)	kW	1.33 /1.30 /1.28 /1.25 /1.17	1.66 /1.62 /1.60 /1.57 /1.50	2.44 /2.46 /2.39 /2.29 /2.15
Sound power L _{WA} A7/W35 (EN12102) ²⁾	dB(A)	56	58	58
Sound pressure L _{PA} 5 m A7/W35	dB(A)	37	39	39
Sound pressure L _{PA} 10 m A7/W35	dB(A)	31	33	33
Electrical Data, connection		230V 1N~ 50Hz		
Rated current	A	10.3	12.4	18.8
Recommended fuse	A	13	13	20
Ingress protection class (IP)		IP X4		
Airflow rate: max	m ³ /h	2500	2800	4100
Refrigerant quantity (R407C, GWP 1774)	kg	2.2	2.2	2.7
CO ₂ equivalent	tonnes	3.902	3.902	4.790
SCOP cold climate: W35 (EN14825, Pdesignh)		3.4	3.4	3.5
SCOP average climate: W35 (EN14825, Pdesignh)		3.9	3.9	3.9
SCOP warm climate: W35 (EN14825, Pdesignh)		4.8	4.9	4.8
Package efficiency class: W35/55 (A+++ to G) ¹⁾		A++ / A+	A++ / A+	A++ / A++
Energy efficiency class: W35/55 (A+++ to D)		A++ / A+	A++ / A+	A++ / A++



info@enertech.se
+46 372 88 000
Fax: +46 372 86 155
P.O. Box 309 SE-341 26 Ljungby Sweden



Compatible control units

– refer to individual product sheets for more detailed information.



Smart accessories

– supplement and simplify.

		CTC no.:
CTC Installation Kit EcoAir	For frost-protected outdoor installation	586534402
CTC Basic Control	Digital thermostat control. Used with tank or when replacing older heat pump	587893301
CTC Basic Display 1M	Service tool used for servicing and naming of heat pumps with 1 meter cord	586043401
CTC Converter 2.0	Enables the CTC's Series 400 heat pumps to be combined with V3 control unit	585821303
CTC Heating Cable	Frost protection kit for condensation pipe incl. 5 m cable	586685401
CTC terminal set	For connecting an external heating cable or circulation pump in the heat pump	586394401
CTC Flow meter G25	For measuring and adjusting the water flow	586683401
Insulation Bowl	Molded insulation for flow meter	586683411
CTC Charge pump 25/70-130 6-8 kW	7.0 m A-class PWM for heat pump 6-8 kW	587477303
CTC Charge pump 25/7-130 10-12 kW	7.5 m A-class PWM for heat pump 10-12 kW	587477302
CTC Charge pump 25/85-130 14-20 kW	8.5 m A-class PWM for heat pump 14-20 kW	587477301
CTC Cabinet EAØ500 dark grey	Accessory for changing the colour of installed 406-408 from light grey to dark grey	588822301
CTC Cabinet EAØ630 dark grey	Accessory for changing the colour of installed 410-420 from light grey to dark grey	588823301
CTC Rain Cover EcoAir, Ø500	Rain cover for 406-408 for avoiding icing in exposed positions	586997311
CTC Rain Cover EcoAir, Ø630	Rain cover for 410-420 for avoiding icing in exposed positions	586997312
CTC Protection grid EA Ø500	Evaporator impact protection for 406-408	588918301
CTC Protection grid EA Ø650	Evaporator impact protection for 410-420	588599301
CTC Protection cover EA Ø500	Protection for connection tubes, suitable for 406-408	588916301
CTC Protection cover EA Ø650	Protection for connection tubes, suitable for 410-420	588917301